

Differences between the LCD Panel and LF-057 board

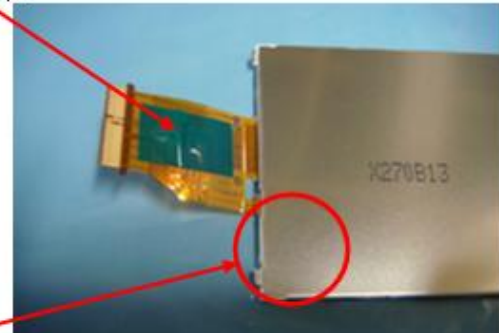
1. How to distinguish between the LCD modules

Made by AUO
(1-802-570-11)

Made by SONY
(8-753-298-16)



Panel (Back side)



Panel (Back side)

[Insulation tape]
Polyimide tape
Green tape

[Mark printed]
AUO
No mark

[Mark printed]
No mark
SONY



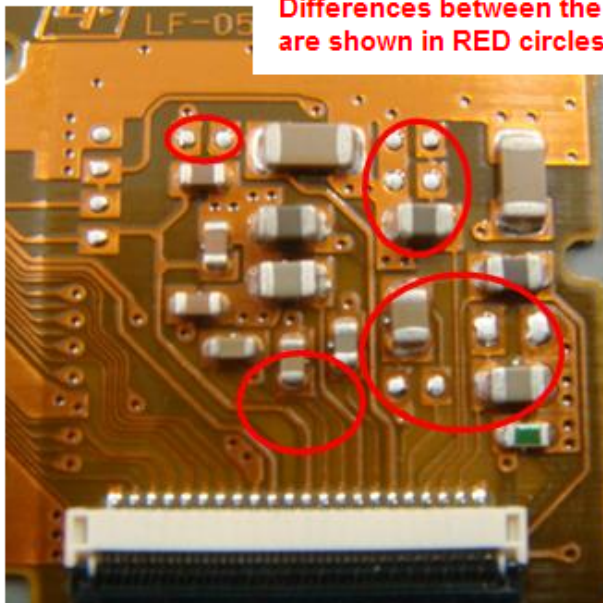
Panel (Front side)



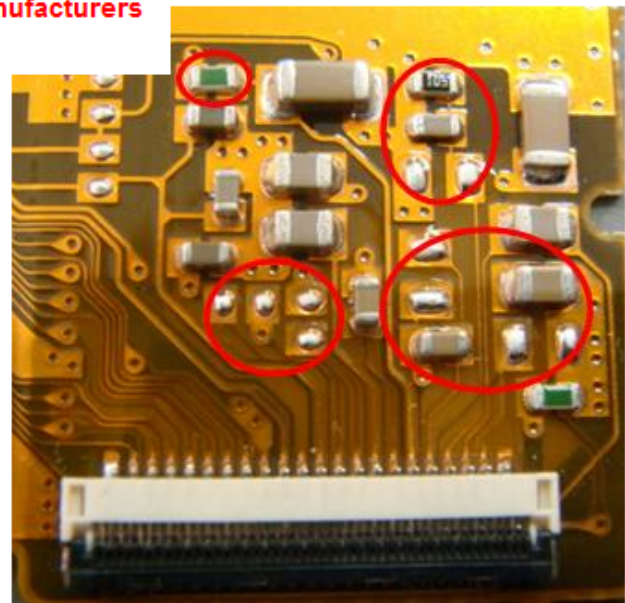
Panel (Front side)

2. How to distinguish between the LF-057 Flex board

Differences between the 2 manufacturers
are shown in RED circles



LF-057 board mount (A-1541-126-A)
LCD panel (for 1-802-570-11)



LF-057 board mount (A-1466-493-A)
LCD panel (8-753-298-16)