

MHP15*A

SIGNATURE SERIES

15 SEER SPLIT SYSTEM HEAT PUMP



FEATURES AND BENEFITS

- R410A Refrigerant
- High-quality condenser coil with copper tubing and enhanced louvered fin for maximum heat transfer capacity
- Top discharge directs hot air and sound away from living area and shrubbery
- All units run tested
- Louvered panel coil protection
- Easy access to electrical panels, pre-wired for easy hook-up
- Bi-directional liquid line filter drier factory installed
- Discharge muffler for quiet operation
- Reliable, solid state defrost control
- Defrost control is Quiet Shift™ capable
- Low pressure switch factory installed for loss of charge protection
- Integrated control with LED diagnostics
- Short cycle protection factory installed
- All units ETL and ETL approved and AHRI Certified
- Charged for 15 feet of interconnecting tubing

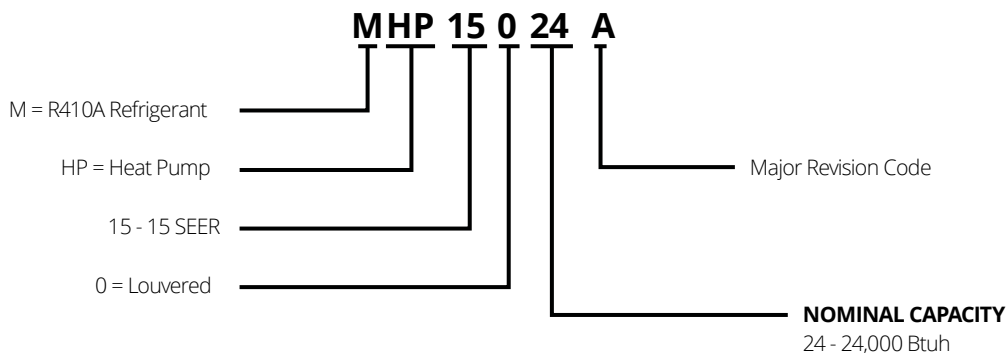
WARRANTY

10 year limited warranty on compressor, 10 year limited warranty on all parts, extended warranty available*

*Warranty provides for a total of 10 years of limited warranty coverage (Standard 5-year limited parts warranty plus an additional 5-year limited extended parts warranty). Warranty must be registered online within 60 days of installation to qualify for 10-year coverage. Unregistered equipment defaults to 5-year coverage. Lifetime limited heat exchanger warranty applies to registered equipment only (Standard 20 years with no online registration). See full warranty at www.mrcool.com for terms, conditions and exclusions.



MODEL NUMBER GUIDE



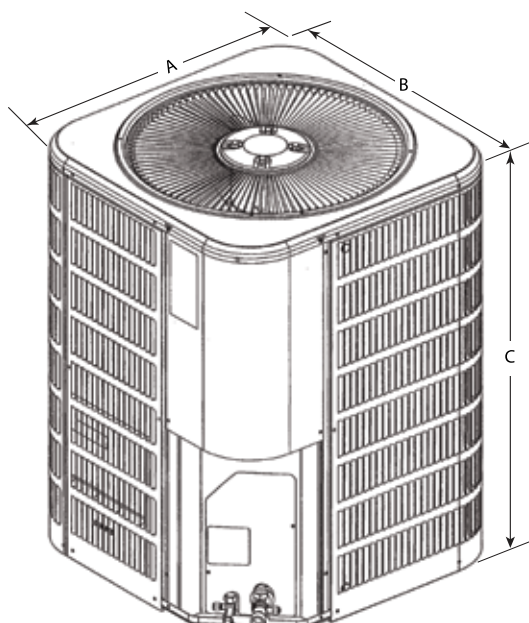
PHYSICAL AND ELECTRICAL DATA

Model	Voltage/ Hz/ Phase	Voltage Range	Min. Circuit Amp.	Max. Over Current Device (amps)	Compressor		Outdoor Fan Motor			Refrig. Charge+ (oz.)	Sound Rating (dBA)
					Rated Load (amps)	Locked Rotor (amps)	Rated Load (amps)	Rated HP	Nom. RPM		
MHP15018A	208-230/60/1	197-253	12.2	20	9.0	48	1.0	1/6	825	93	74
MHP15024A	208-230/60/1	197-253	17.9	30	13.5	58	1.1	1/6	825	94	76
MHP15030A	208-230/60/1	197-253	17.1	25	12.8	64	1.1	1/6	825	90	76
MHP15036A	208-230/60/1	197-253	18.7	30	14.1	77	1.1	1/6	825	150	76
MHP15042A	208-230/60/1	197-253	24.2	40	18.0	112	1.8	1/3	825	184	79
MHP15048A	208-230/60/1	197-253	29	50	21.8	117	1.8	1/3	825	161	80
MHP15060A	208-230/60/1	197-253	29.4	50	22.1	125	1.8	1/3	825	197	80

Note:
Weights listed are unit weights with packaging
+ Factory charged for 15 feet of line set. Adjust per installation instructions.

UNIT DIMENSIONS & WEIGHT

Model	Dimensions (inch)			Shipping Weight (lbs.)
	A - Width	B - Depth	C - Height	
MHP15018A	28.25	28.25	37	175
MHP15024A	28.25	28.25	37	177
MHP15030A	28.25	28.25	37	178
MHP15036A	28.25	28.25	33	202
MHP15042A	32.25	32.25	37	272
MHP15048A	32.25	32.25	37	273
MHP15060A	32.25	32.25	43	297



Note:
Dimensions listed are unit sizes w/o packaging

LINE SETS

Outdoor Model	Condenser Refrigerant Connection		Refrigerant Line Size	
	Outdoor		Suction	Liquid
	Suction	Liquid		
MHP15018A	3/4	3/8	3/4	3/8
MHP15024A	3/4	3/8	3/4	3/8
MHP15030A	3/4	3/8	3/4	3/8
MHP15036A	7/8	3/8	7/8	3/8
MHP15042A	7/8	3/8	7/8	3/8
MHP15048A	7/8	3/8	7/8	3/8
MHP15060A	7/8	3/8	1 1/8	3/8

ACCESSORIES

Description	Where Used	Kit Number
Compressor Low Ambient Kit	18, 24, 30, 36, 42, 48, 60	MLACK
Loss of Charge Kit	18, 24, 30, 36, 42, 48, 60	(factory Installed)
TXV	18, 24, 30	H4TXV01
	36, 42, 48	H4TXV02
	60	H4TXV03



MHP15*A
SIGNATURE SERIES