

# Part Instruction

## Installing New Inverter Design WR55X20817 in a Monogram Refrigerator

### IMPORTANT SAFETY NOTICE

These installation instructions are intended for use by individuals possessing adequate backgrounds of electrical, electronic, and mechanical experience. Any attempt to repair a major appliance may result in personal injury and property damage. Do not attempt the repairs described in this installation if you do not fully understand the actions described or the risks involved.

### RECONNECT ALL GROUNDING DEVICES

If grounding wires, screws, straps, clips, nuts, or washers used to complete a path to ground are removed for service, they must be returned to their original position and properly fastened.

To remove the current inverter perform the following steps:

1. Remove the foam that is attached to the front of the current inverter.
2. Remove the screw from the inverter.
3. Remove the screw from the highside baffle for easier access to the compressor.
4. Disconnect the electrical harnesses and ground wire from the inverter. Remove the compressor terminal cover. Disconnect the compressor harness. Remove the inverter.

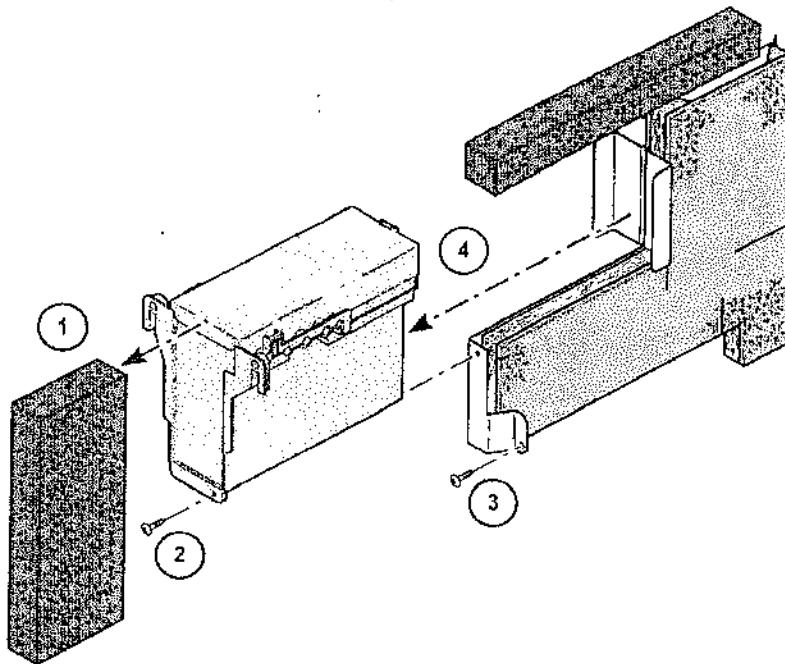


Figure 1 – Removing Current Inverter WR55X10155



To install the new inverter perform the following steps:

1. Slide the inverter into the metal housing supplied in the kit.
2. Place adhesive top foam (supplied in kit) on top of the inverter. Cut to desired length.
3. Slide in the new inverter into the highside air baffle as shown.

4. Connect the electrical harnesses and ground wire to the inverter. Reconnect the compressor harness and terminal cover.

5. Replace the screw in the front of the inverter.

6. Replace the screw in highside baffle (if removed).

7. Place front foam (supplied in kit) on baffle.

**Note:** The inverter should fit into the housing with the topside down and the wires to the right.

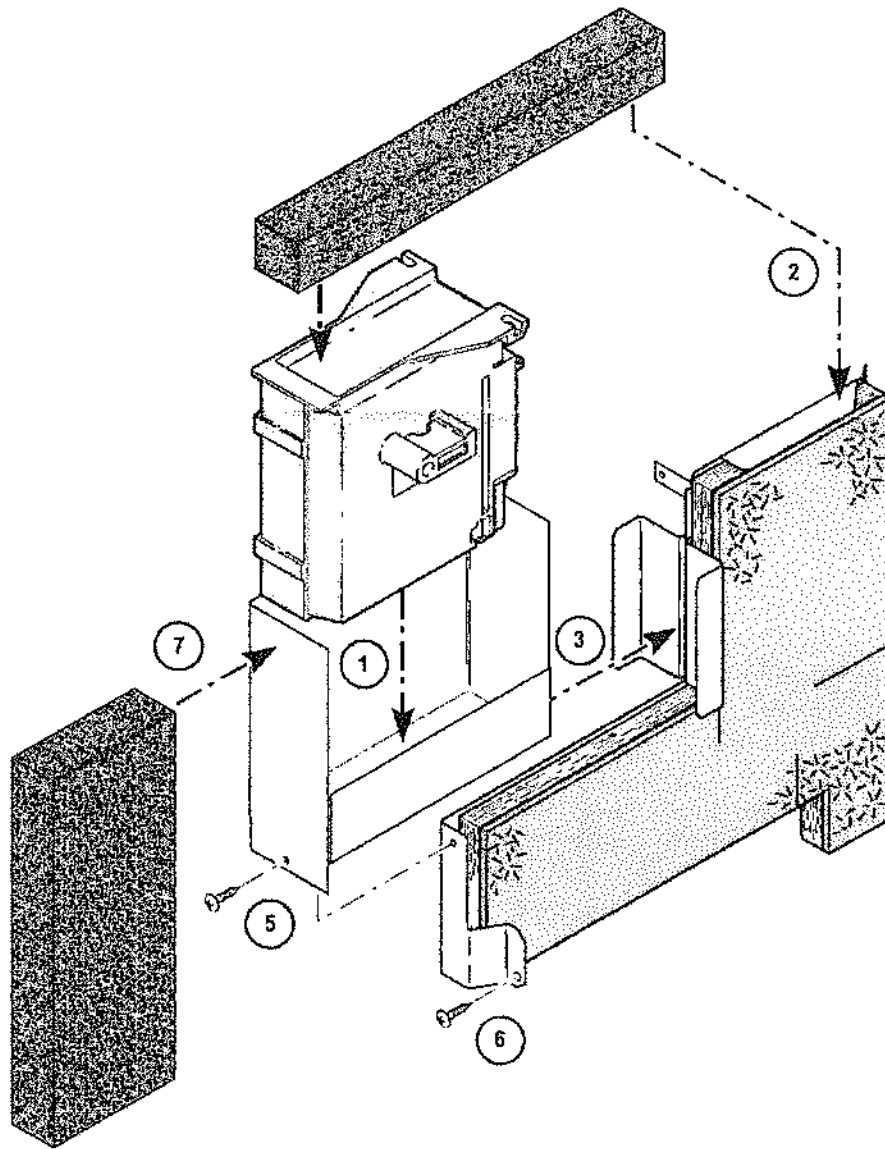


Figure 2 - Installing New Inverter



## WR55X20817 Installing Free-Standing Inverter Design

### IMPORTANT SAFETY NOTICE

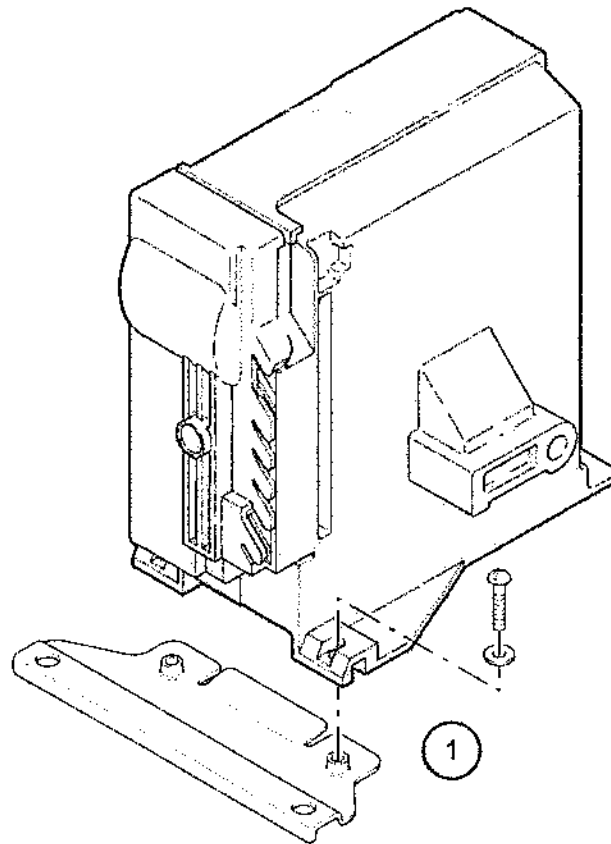
These installation instructions are intended for use by individuals possessing adequate backgrounds of electrical, electronic, and mechanical experience. Any attempt to repair a major appliance may result in personal injury and property damage. Do not attempt the repairs described in this installation if you do not fully understand the actions described or the risks involved.

### RECONNECT ALL GROUNDING DEVICES

If grounding wires, screws, straps, clips, nuts, or washers used to complete a path to ground are removed for service, they must be returned to their original position and properly fastened.

To install the free-standing inverter, perform the following steps:

1. Attach the metal bracket to the inverter with the two screws/washers (included).
2. Install the inverter in the refrigerator.
3. Discard the remaining pieces in the kit.



**Figure 3 – Installing Free-Standing Inverter**

